

ACS-PADLOCK®

REUSABLE CONNECTED SEAL



USE CASES



ROAD TRANSPORT

Monitors your cargoes for the duration of the transport. Lock and unlock notification. Fraud alert.



LOGISTICS

Control of connected padlocks to secure loading docks. Remote control of the padlocks.



ELECTRICAL CONSIGNMENT

Manages the consignments of electrical cabinets and the various protective organs and controls in electrical cabinets.



ACCESS MANAGEMENT

Secures access. User management with rights allocation. Fraud alert and notification of locking/unlocking with user identification.

PRODUCT HIGHLIGHTS

MULTIPLE COMMANDS

Various sealing capabilities: LoRaWAN downlink, CloverNet and NFC, choosing the control media according to the case of use.

REAL-TIME MONITORING

In addition to the periodic state, ACS-Padlock immediately notifies any event: cable cutting and tearing, stack hatch opening and motion detection.

LED IDENTIFICATION

A bi-color LED on the case makes it easier to install the product, to know its condition and to validate the lock/unlock controls.

OPTIMIZED ALGORITHM for a battery life of 3 to 5 years depending on the use case.

GEOLOCATION INDOOR

TIME-STAMPING AND DATALOGGING OF EVENTS (+3000)

REPLACEABLE BATTERY

OPTIONS AVAILABLE:

- One meter sealed cable,
- Motion sensor,
- Personalization on demand,
- Specific business features.

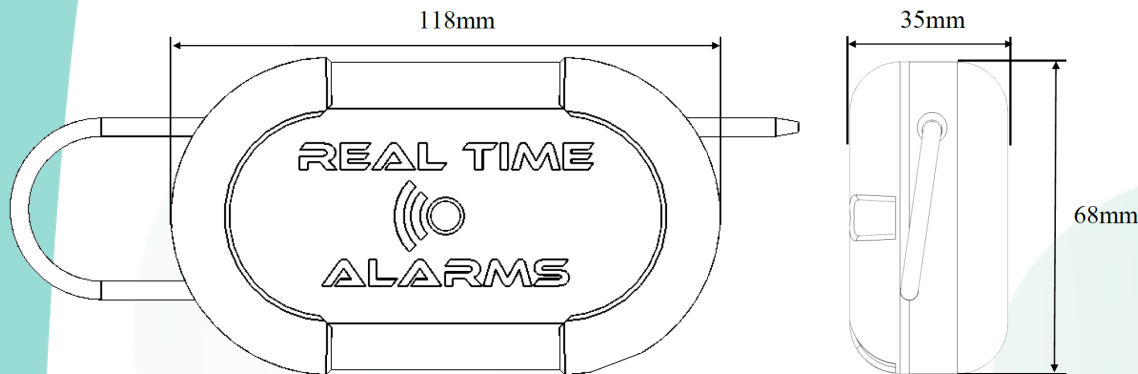
CLOVER-NET TECHNOLOGY



Real-time two-way communication protocol to facilitate the installation and setting of sensors, collection of time-stamped data, automatic inventories, OTA updates...

SPECIFICATIONS

Mechanical specificities



Certifications

CE, EN 300-220

Length of cable

30cm as standard

1m optional

Physical Characteristics

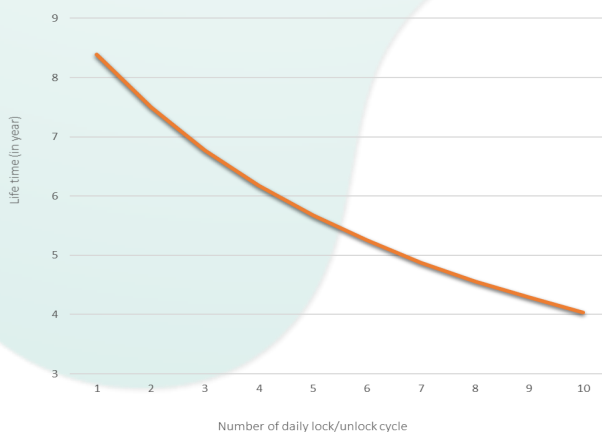
Battery	Lithium 3.6Ah replaceable
Material	ABS PC V0 UL94
Weight	232 g
IP index	IP55
IK index	IK08
Operating temperature	-20°C to 70°C
Storage temperature	-40°C to 80°C
Humidity	< 95% without condensation

Communication

Close	NFC
LoRaWAN	Class A
	EU868, 915US, AU915, AS923
	Public and private network
	OTAA and ABP
	Power transmission : 14dBm (EU) 20dBm max
	Operator compatible : Objenious, Orange...
	Core network providers : Actility, Orbiwise, TTN, Loriot ...
SigFox (option)	RC1, RC2, RC4
CloverNet	Broadcast, multicast, point-to-point

⚠ CAUTION: THIS PRODUCT USES LITHIUM BATTERY.
FOR YOUR SAFETY, PLEASE CHECK OUR WEBSITE.

Battery life



Data transmitted

Seal status
Events counter
Alarm in case of cable cut, cable tearing, battery hatch opening
History with time stamp
Activity data (battery, ...)
Temperature level
Product configuration by downlink

Use case

1 life frame every 24 hours
LoRaWAN communication in SF12

INEO-SENSE

125 Rue de L'hostellerie,
Immeuble ELLIPSIS, Niv 4 Porte 12
30 900 Nîmes — France

Phone : +33 466 276 495
Web : www.ineo-sense.com
contact@ineo-sense.com