

ACS-SWITCH-BUZZ®

AUTONOMOUS ALARM



ALARM



MOUVE



TILT



ROTATION



LoRaWAN™

USE CASES

SAFETY ALERT



Equipped with a buzzer and an intelligent sensor (tilt, movement, magnetic environment), you will be warned of an abnormal position (opening or closing) of accesses (fire doors, hatches, fire domes).



PROCESS ALARM

Alarm triggers if an abnormal position is detected along with a timer (fridge door to make sure the cold chain is respected, industrial oven, boiler...).



DEPORTED ALARM

Combined with other types of sensors, ACS-Switch-BUZZ will warn you if a process is not respected or if a fixed value (temperature, humidity, tilt) is exceeded.

PRODUCT HIGHLIGHTS

MULTIPLE OPERATING MODES

Flexible operating mode and simple on-the-fly setting.

AUTONOMOUS DETECTION WITHOUT A MAGNET

ACS-Switch-BUZZ detects the abnormal position of the sash.

IDENTIFICATION BY LED

A bi-color LED allows you to know the condition of the product, facilitates its installation and alerts you in case of an anomaly.

SIREN UP TO 100 DB WITH TONE ADJUSTMENT

OPTIMIZED BATTERY CONSUMPTION for a battery life of more than 5 years depending on the use case.

TIME-STAMPING AND DATALOGGING of events (+3000)

REPLACEABLE BATTERY

OPTIONS AVAILABLE :

- Personalization on request :
 - Case color and labelling,
 - Specific features.



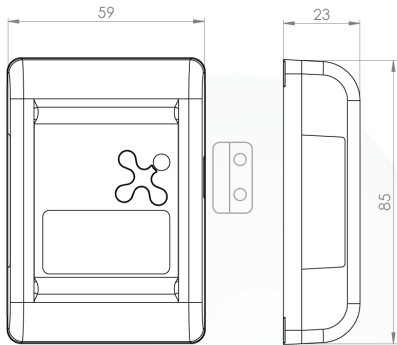
CLOVER-NET TECHNOLOGY

Real-time two-way communication protocol to facilitate the installation and setting of sensors, collection of time-stamped data, automatic inventories, OTA updates...

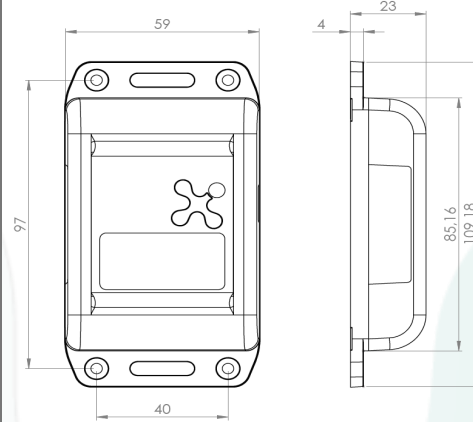
SPECIFICATIONS

Mechanical specificities

Without flanges (with the magnet option)



With flanges



Fastening system

Screw

Magnet (optional)

Glue

Certifications

CE, EN 300-220

Physical characteristics

| | |
|-----------------------|----------------------------|
| Battery | Lithium 3.6Ah replaceable |
| Material | ABS PC V0 UL94 |
| Weight | 98g |
| IP index | IP54 or IP66 (with seal) |
| IK index | IK07 or IK08 (with seal) |
| Operating temperature | -20°C to 70°C |
| Storage temperature | -40°C to 80°C |
| Humidity | < 95% without condensation |



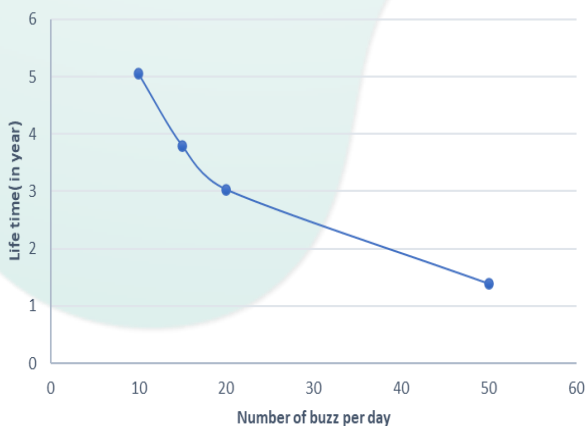
CAUTION: THIS PRODUCT USES LITHIUM BATTERY.

FOR YOUR SAFETY, PLEASE CHECK OUR WEBSITE.

Communication

| | |
|-----------|---|
| LoRaWAN | Class A |
| | EU868, 915US, AU915, AS923 |
| | Private and public networks |
| | OTAA and ABP |
| | Power transmission : 14dBm (EU) to 20dBm max |
| | Operator compatible : Objenious, Orange ... |
| | Network core providers : Actility, Orbiwise, TTN, Loriot... |
| SigFox | RC1, RC2, RC4 |
| CloverNet | Broadcast, multicast, point-to-point |

Battery life



Use case

Heading mode

10 seconds of buzz

Data transmitted

Opening or position status

Active / inactive state counter

Alarm in case of change of status or if it exceeds the threshold

Threshold crossing counter

History of time stamps

Activity data (battery, ...)

Temperature level

Settings configuration by downlink

INEO-SENSE

125 Rue de L'hostellerie,
 Immeuble ELLIPSIS, Niv 4 Porte 12
 30 900 Nîmes — France

Phone : +33 466 276 495
 Web : www.ineo-sense.com
contact@ineo-sense.com

© 2020 Ineo-Sense. All rights reserved. Clover-Net, Clover-Sense, ACS-Switch, are trademarks of Ineo-Sense company. All other brands mentioned are the property of their respective holders. This is non-contractual document, and may be modified without notice.