

ACS-SWITCH[®]

DETECTION OF OPENINGS AND POSITIONS



TILT



MOTION



ROTATION



OPENING



LoRaWAN™

USE CASES



ACCESS CONTROL

Detection of openings and closings of doors, gates, roof windows... It makes it possible to detect intrusions and count passages.



FIRE SAFETY

Monitors hatches, fire safety domes or fire doors thanks to the tilt measurement.



COLD ROOM

Detection of openings of transport vehicle doors along with the temperature monitoring. Alarm sent in the event of a break in the cold chain.



MANAGEMENT OF INFRASTRUCTURE AND WORKS OF ART

Securing of loading docks and trailers. Monitoring of shuttle boxes and containers of all types by detecting shocks, vibrations and temperature measurement.

PRODUCT HIGHLIGHTS

MULTIPLE OPERATING MODES

Flexible operating mode with a simple on-the-fly set-up. Fits the majority of the use cases

AUTONOMOUS AND MAGNETLESS DETECTION

ACS-Switch detects the opening and closing of sashes without accessories.

IDENTIFICATION BY LED

A bi-color LED allows you to know the condition of the product, facilitates its installation and alerts you in case of an anomaly.

OPTIMIZED ALGORITHM for more than 5 years of battery life depending on the use case.

TIME-STAMPING AND DATALOGGING of events (+3000)

REPLACEABLE BATTERY

OPTIONS AVAILABLE:

- Internal or external temperature probe and hygrometry,
- Specific sensor on demand,
- Personalization on request :
 - Case color and labelling,
 - Specific features.



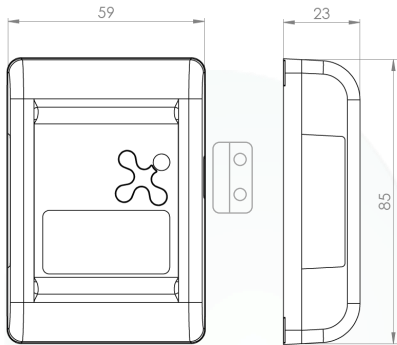
CLOVER-NET TECHNOLOGY

Real-time two-way communication protocol to facilitate the installation and setting of sensors, collection of time-stamped data, automatic inventories, OTA updates...

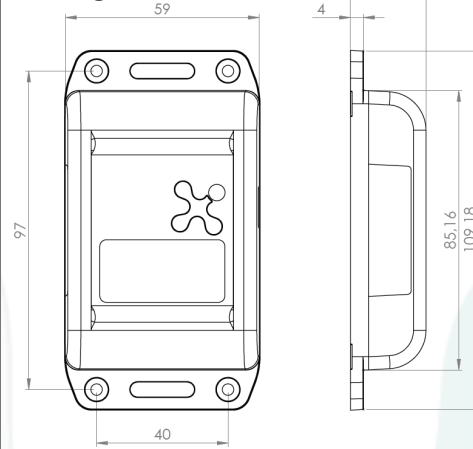
SPECIFICATIONS

Mechanical specificities

Without flanges (and magnet option)



With flanges



Fastening system

- Screw
- Magnet (optional)
- Glue

Certifications

CE, EN 300-220

Physical characteristics

Battery	Lithium 3.6Ah replaceable
Material	ABS PC V0 UL94
Weight	94 g
IP index	IP54 or IP66 (with seal)
IK index	IK07 or IK08 (with seal)
Operating temperature	-20°C to 70°C
Storage temperature	-40°C to 80°C
Humidity	< 95% without condensation

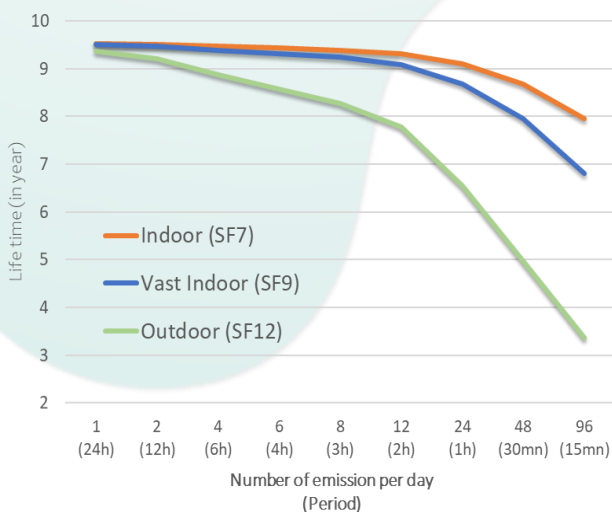


CAUTION: THIS PRODUCT USES LITHIUM BATTERY.
FOR YOUR SAFETY, PLEASE CHECK OUR WEBSITE.

Communication

LoRaWAN	Class A
	EU868, 915US, AU915, AS923
	Private and public networks
	OTAA and ABP
	Power transmission : 14dBm (EU) to 20dBm max
	Operator compatible : Objenious, Orange ...
	Network core providers : Actility, Orbiwise, TTN, Lorient ...
SigFox (option)	RC1, RC2, RC4
CloverNet	Broadcast, multicast, point-to-point

Battery life



Use case

- Opening mode
- Response time within seconds

Data transmitted

- Opening or position status
- Active / inactive status counter
- Alarm in case of change of status or if it exceeds the threshold
- Special events
- History of time stamps
- Activity data (battery, ...)
- Temperature level
- Settings configuration by downlink

INEO-SENSE

125 Rue de L'hostellerie,
Immeuble ELLIPSIS, Niv 4 Porte 12
30 900 Nîmes — France

Phone : +33 466 276 495
Web : www.ineo-sense.com
contact@ineo-sense.com

© 2020 Ineo-Sense. All rights reserved. Clover-Net, Clover-Sense, ACS-Switch, are trademarks of Ineo-Sense company. All other brands mentioned are the property of their respective holders. This is non-contractual document, and may be modified without notice.