

ESG-LOGGER-HYGRO[®]

MONITORING HUMIDITY AND TEMPERATURE



USE CASE



Storage area

Compliant with storage standards. Measures temperature and humidity of your storage areas. Autonomously and easily implemented.



Industrial process

Monitors your paint booths, ovens, heating processes and only go back up to the essentials. If there is an anomaly, refers to the records of our ESG-Logger.



COLD CHAIN BREACH

Monitors your cold chain without any special connectivity. Once you arrive at destination, check the history of our ESG-Logger and check that there has been no breakage.

PRODUCT HIGHLIGHTS

AUTONOMOUS AND WIRELESS

ESG-Logger can be installed anywhere without worrying about wiring, indoor and outdoor. Its magnet installation is simple, fast and automatic.

SET AS YOU WISH

Set up of the ESG-Logger can be adjusted as required, locally or remotely if LPWAN connectivity is available.

IDENTIFICATION BY LED

A bi-color LED allows you to know the condition of the product, facilitates its installation and alerts you in case of an anomaly.

OPTIMIZED ALGORITHM for more than 10 years of battery life depending on the use case.

TIME-STAMPING AND DATALOGGING OF EVENTS (+8000)

REPLACEABLE BATTERY

OPTIONS AVAILABLE:

- Specific sensor on demand,
- Anti-snatching,
- Customization on request:
 - Case color and labeling,
 - Specific business features.

CLOVER-NET TECHNOLOGY

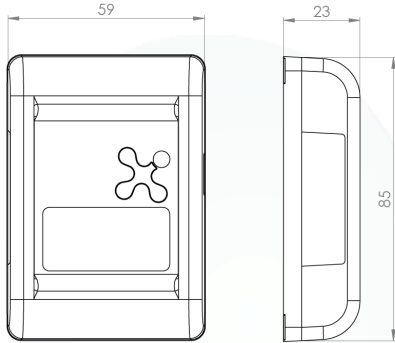


Real-time two-way communication protocol to facilitate the installation and setting of sensors, collection of time-stamped data, automatic inventories, OTA updates...

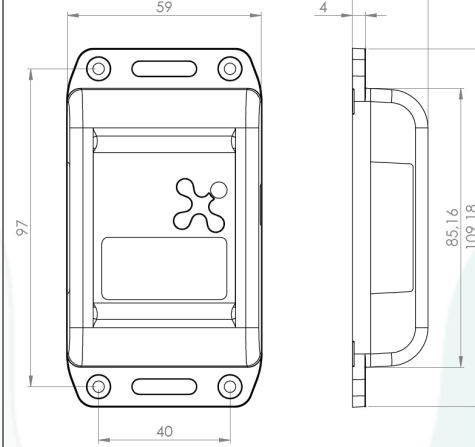
SPECIFICATIONS

Mechanical specificities

Without flanges



With flanges



Fastening system

Screw
 Magnet (optional)
 Glue

Certifications

CE, EN 300-220

Physical characteristics

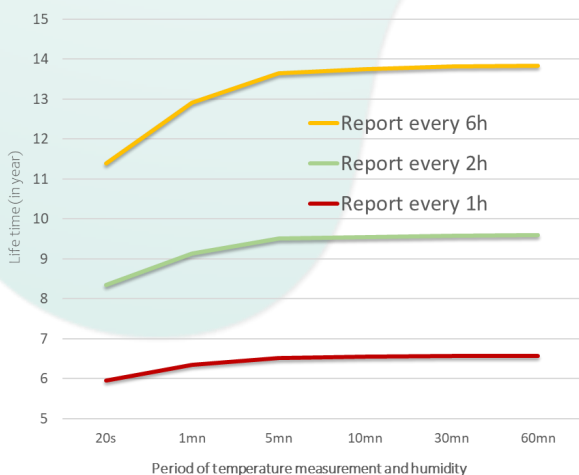
Battery	Lithium 3.6Ah replaceable
Material	ABS PC V0 UL94
Weight	110 g
IP index	IP55 or IP67 (with seal)
IK index	IK07 or IK08 (with seal)
Operating Temperature	-20°C to 70°C
Storage Temperature	-40°C to 80°C
Humidity	< 95% without condensation

Communication

LoRaWAN	Class A EU868, 915US, AU915, AS923 Private and public Network OTAA and ABP Power transmission : 14dBm (EU) to 20dBm max Operator compatible : Objenious, Orange ... Network core providers : Actility, Orbiwise, TTN, Lorient ...
SigFox (option)	RC1, RC2, RC4
CloverNet	Broadcast, multicast, point-to-point

⚠ CAUTION: THIS PRODUCT USES LITHIUM BATTERY. FOR YOUR SAFETY, PLEASE CHECK OUR WEBSITE.

Battery life



Use case

Communication in SF12
 Report with Min/Max/average
 Recording data in memory for later reading

Data transmitted

Value of humidity and temperature
 Time-recorded measurements
 Alarm in case of high and low threshold overshoot
 Alarm in case of snatching
 History with time stamp
 Activity data (battery, etc.)
 Setting up by Downlink

INEO-SENSE

125 Rue de L'hostellerie,
 Immeuble ELLIPSIS, Niv 4 Porte 12
 30 900 Nîmes — France

Phone : +33 466 276 495
 Web : www.ineo-sense.com
contact@ineo-sense.com

© 2020 Ineo-Sense. All rights reserved. Clover-Net, Clover-Sense, ESG-Logger, are trademarks of Ineo-Sense company. All other brands mentioned are the property of their respective holders. This is non-contractual document, and may be modified without notice.