

# ESG-LOGGER-NRJ<sup>®</sup>

## TRACKING ELECTRICITY CONSUMPTION



### USE CASE



#### Consumption distribution

Measuring the consumption of each energy plant in your industrial facilities. Identification of large consumption items.

#### 123 Counting

Simple and wiring-free consumption monitoring. Plug'n Play solution that allows use in a variety of locations.



#### Preventive maintenance

Monitoring your electrical production facilities. Making a consumption template. Anticipation of over-consumption and breakdowns.

## PRODUCT HIGHLIGHTS

### AUTONOMOUS AND WIRELESS

ESG-Logger's batteries allow it to be installed anywhere without worrying about wiring, indoor and outdoor. Its magnet installation is simple, fast and automatic.

### SET AS YOU WISH

The setting of the ESG-Logger can be adjusted as required, locally or remotely.

### IDENTIFICATION BY LED

A bi-color LED allows you to know the condition of the product, facilitates its installation and alerts you in case of an anomaly.

**OPTIMIZED ALGORITHM** for more than 5 years of battery life depending on the use case.

### TIME-STAMPING AND DATALOGGING OF EVENTS (+3000)

### REPLACEABLE BATTERY

### OPTIONS AVAILABLE :

- Current Torus: 90A or 300A,
- Antenna deported to free itself from radio propagation problems in electrical cabinets,
- Specific sensor on demand,
- Customization on request:
  - Case color and labeling,
  - Specific business features.

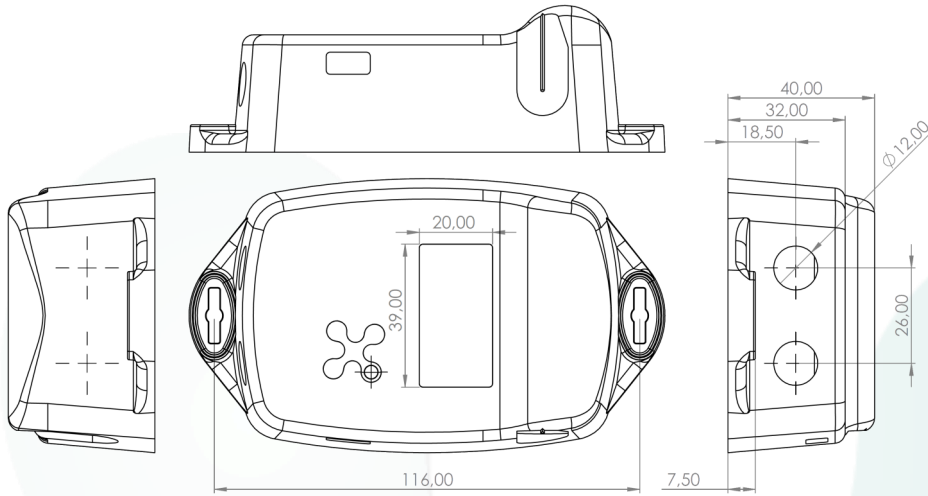
### CLOVER-NET TECHNOLOGY



Real-time two-way communication protocol to facilitate the installation and setting of sensors, collection of time-stamped data, automatic inventories, OTA updates...

# SPECIFICATIONS

## Mechanical specificities



## Fastening system

Screw  
 Magnet (optional)  
 Glue

## Certifications

CE, EN 300-220  
 ATEX (optional certifiable)

## Accessories

TC 90A - cable 1m  
 TC 300A - cable 2m

## Physical characteristics

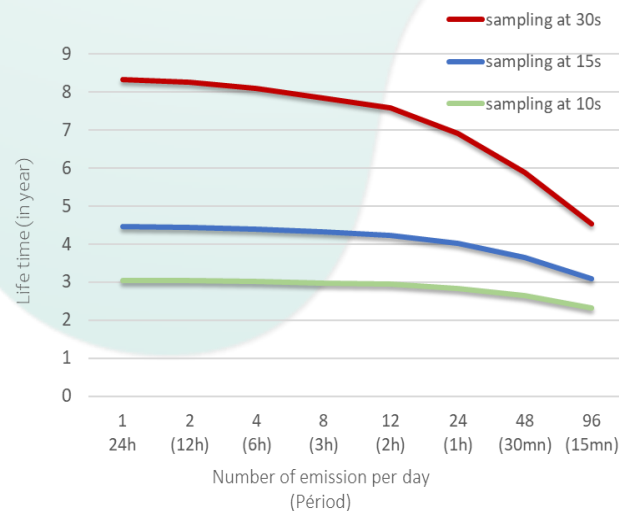
Battery	Lithium 2 x 3.6Ah replaceable
Material	ABS PC V0 UL94
Weight	Box: 260 g
	TC 90A : 80 g TC 300A : 170 g
IP index	IP54 or IP66 (optional)
IK index	IK08
Operating Temperature	-20°C to 70°C
Storage Temperature	-40°C to 80°C
Humidity	< 95% without condensation

## Communication

LoRaWAN	Class A
	EU868, 915US, AU915, AS923
	Private and public networks
	OTAA and ABP
	Power transmission : 14dBm (EU) to 20dBm max
	Operator compatible : Objenious, Orange ...
	Network core providers : Actility, Orbiwise, TTN, Lorient ...
SigFox (option)	RC1, RC2, RC4
CloverNet	Broadcast, multicast, point-to-point

**!** CAUTION: THIS PRODUCT USES LITHIUM BATTERY.  
 FOR YOUR SAFETY, PLEASE CHECK OUR WEBSITE.

## Battery life



## Use case

1P+N current measurement  
 Communication in SF12

## Data transmitted

Current measurements and voltages  
 Time-recorded measurements  
 Values Min / Max / average  
 Alarm in case of change of status or exceeding the threshold  
 History with time stamp  
 Activity data (battery, etc.)  
 Setting up by Downlink

## INEO-SENSE

125 Rue de L'hostellerie,  
 Immeuble ELLIPSIS, Niv 4 Porte 12  
 30 900 Nîmes — France

Phone : +33 466 276 495  
 Web : [www.ineo-sense.com](http://www.ineo-sense.com)  
[contact@ineo-sense.com](mailto:contact@ineo-sense.com)

© 2020 Ineo-Sense. All rights reserved. Clover-Net, Clover-Sense, ESG-Logger, are trademarks of Ineo-Sense company. All other brands mentioned are the property of their respective holders. This is non-contractual document, and may be modified without notice.