

# ESG-LOGGER-PULSE<sup>®</sup>

## PULSE-COUNTING CONSUMPTION TRACKING



 **LoRaWAN<sup>™</sup>**



## USE CASE



### CONSUMER STATEMENT

Consumption statement from pulse counter.  
Easy to install and connect.



### LEAK DETECTION

Detection of anomalies thanks to its calendar operation and the on-board processing of impulse counting.



### PERIOD OF USE

Behaviour monitoring to determine a functioning profile.

## PRODUCT HIGHLIGHTS

### AUTONOMOUS AND WIRELESS

ESG-Logger-Pulse can be installed anywhere without worrying about wiring, indoor and outdoor. Its magnet installation is simple, fast and automatic.

### SET AS YOU WISH

Set up of the ESG-Logger can be adjusted as required, locally or remotely.

### IDENTIFICATION BY LED

A bi-color LED allows you to know the condition of the product, facilitates its installation and alerts you in case of an anomaly.

**OPTIMIZED ALGORITHM** for more than 10 years of battery life depending on the use case.

### MANAGES 2 COUNTERS SIMULTANEOUSLY

**TIME-STAMPING AND DATALOGGING OF EVENTS (+3000)**

### REPLACEABLE BATTERY

### OPTIONS AVAILABLE:

- Specific sensor on demand,
- Anti-snatching,
- Customization on request:
  - Case color and labeling,
  - Specific business features.

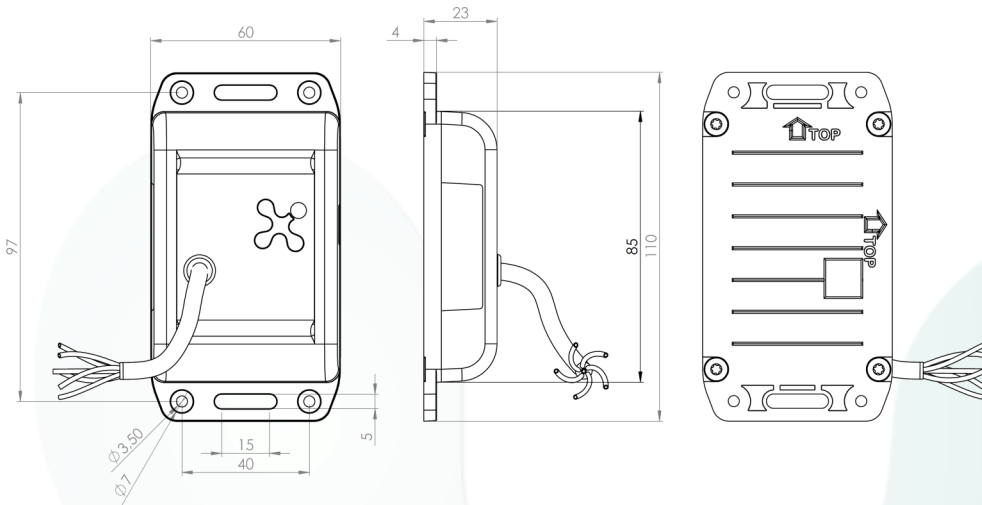
### CLOVER-NET TECHNOLOGY



Real-time two-way communication protocol to facilitate the installation and setting of sensors, collection of time-stamped data, automatic inventories, OTA updates...

# SPECIFICATIONS

## Mechanical specificities



## Fastening system

- Screw
- Magnet (optional)
- Glue

## Certifications

- CE, EN 300-220
- ATEX (optional certifiable)

## Physical characteristics

Battery	Lithium 3.6Ah replaceable
Material	ABS PC V0 UL94
Weight	110 g
IP index	IP55 or IP67 (with seal)
IK index	IK07 or IK08 (with seal)
Operating Temperature	-20°C to 70°C
Storage Temperature	-40°C to 80°C
Humidity	< 95% without condensation

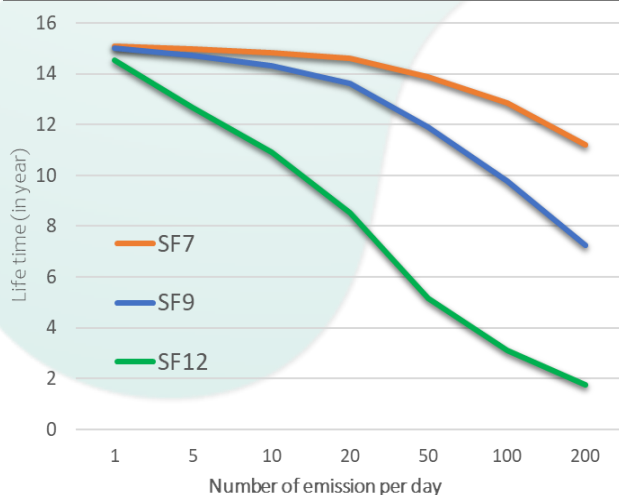
## Communication

LoRaWAN	Class A
	EU868, 915US, AU915, AS923
	Private and public Network
	OTAA and ABP
	Power transmission : 14dBm (EU) to 20dBm max
	Operator compatible : Objenious, Orange ...
	Network core providers : Actility, Orbiwise, TTN, Lorient ...
SigFox (option)	RC1, RC2, RC4
CloverNet	Broadcast, multicast, point-to-point



**CAUTION: THIS PRODUCT USES LITHIUM BATTERY.**  
 FOR YOUR SAFETY, PLEASE CHECK OUR WEBSITE.

## Battery life



## Use case

- Pulse counting
- Periodic or tier emission

## Data transmitted

- Pulse counting
- Time-recorded measurements
- Alarm in case of leak (strong or residual)
- Alarm in case of snatching
- History with time stamp
- Activity data (battery, etc.)
- Setting up by Downlink

## INEO-SENSE

125 Rue de L'hostellerie,  
 Immeuble ELLIPSIS, Niv 4 Porte 12  
 30 900 Nîmes — France

Phone : +33 466 276 495  
 Web : [www.ineo-sense.com](http://www.ineo-sense.com)  
[contact@ineo-sense.com](mailto:contact@ineo-sense.com)

© 2020 Ineo-Sense. All rights reserved. Clover-Net, Clover-Sense, ESG-Logger, are trademarks of Ineo-Sense company. All other brands mentioned are the property of their respective holders. This is non-contractual document, and may be modified without notice.