

TRK-TRACER-GPS®

AUTONOMOUS LOCATION AND GPS (GNSS)



USE CASES



MANAGING, LOCATING AND SECURING YOUR EQUIPMENT FLEETS

TRK-Tracer-GPS allows you, in real time, to know the location of all your equipment (work engine, welding station, dumpster, compressor...); in addition, its motion sensor will allow you to know its usage rates.

Thanks to this remote management, you are able to make resource allocation in line with your needs, apply a billing to use and optimize your maintenance rounds for the dispatching of your equipment.



TRACKING OF ASSETS, CONTAINERS AND SENSITIVE PARCELS

Geolocates of your assets and controls storage temperature with an integrated temperature sensor (optional). Records all events during the journey. Reduces risk of theft.

PRODUCT HIGHLIGHTS

CONFIGURABLE AND DYNAMICS GPS

- Motion start or motion stop,
- Periodic.

TILT, SHOCK, ANTI TEARING

LOCATION INDOOR IN ADDITION TO OUTDOOR WITH THE TRK-ZON, OUR LoRa BEACONS

3D MOTION SENSOR

HIGH BRILLIANCE BICOLOR LED:

- Activity and events alert,
- Pick-to-light identification.

TIME-STAMPING AND DATALOGGING OF EVENTS (+3000)

USAGE RATE MONITORING

OPTIMIZATION OF BATTERY LIFE > 5 YEARS

GNSS ANTENNA : GPS, GALILEO, GLONASS, QZSS REPLACEABLE BATTERY

AVAILABLE OPTIONS :

Temperature sensor

Customization on request

- Case color and labelling,
- Specific business features.

CLOVER-NET TECHNOLOGY

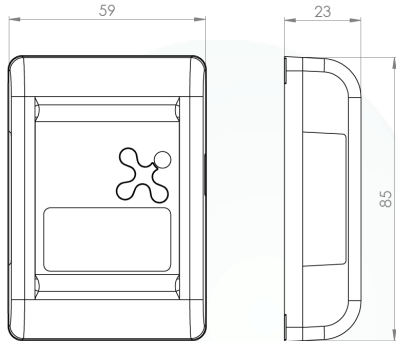


Real-time two-way communication protocol to facilitate the installation and setting of sensors, collection of time-stamped data, automatic inventories, OTA updates...

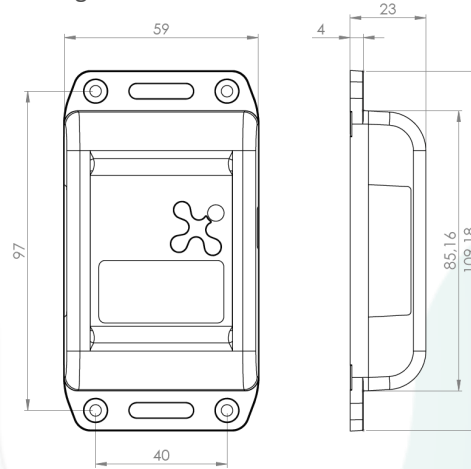
SPECIFICATIONS

Mechanical specificities

Without flange



With flanges



Fastening system

Screw

Magnet (optional)

Glue

Certifications

CE, EN 300-220

Physical Characteristics

Battery	Lithium 3.6Ah replaceable
Material	ABS PC V0 UL94
Weight	107g
IP index	IP66
IK index	IK08 as an option
Operating temperature	-20°C to 70°C
Storage temperature	-40°C to 80°C
Humidity	< 95% without condensation

Communication

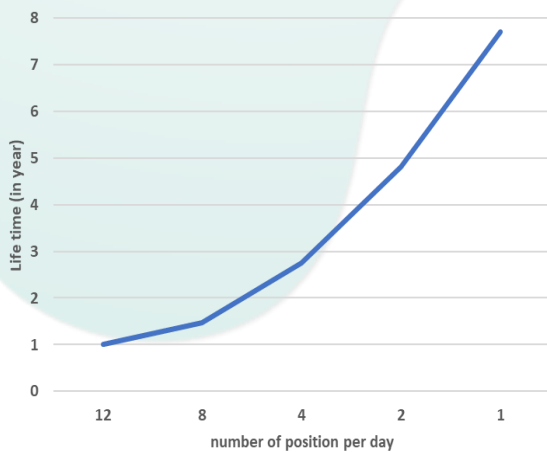
LoRaWAN	Class A
	EU868, 915US, AU915, AS923
	Private and Public networks
	OTAA and ABP
	Power transmission : 14dBm (EU) 20dBm max
	Operator compatible : Objenious, Orange...
	Core network providers : Actility, Orbiwise, TTN, Lorient ...
SigFox (option)	RC1, RC2, RC4
CloverNet	Broadcast, multicast, point-to-point



CAUTION: THIS PRODUCT USES LITHIUM BATTERY.

FOR YOUR SAFETY, PLEASE CHECK OUR WEBSITE.

Battery life



Use case

Acquisition time : 60 s

SF12 communication

Data transmitted

- GPS/GNSS coordinates
- Recording geolocation
- Motion sensor status
- Events on shock/tilt/temperature
- Usage rate monitoring
- Zone detection
- Change of zone events
- Track record of zone crossing
- Battery and temperature level
- Product configuration by downlink

INEO-SENSE

125 Rue de L'hostellerie,
Immeuble ELLIPSIS, Niv 4 Porte 12
30 900 Nîmes — France

Phone : +33 466 276 495
Web : www.ineo-sense.com
contact@ineo-sense.com

© 2020 Ineo-Sense. All rights reserved. Clover-Net, Clover-Sense, TRK-Traceur-GPS, are trademarks of Ineo-Sense company. All other brands mentioned are the property of their respective holders. This is non-contractual document, and may be modified without notice.