

# TRK-TRACER-SLIM®



LOCATING PEOPLE AND ASSETS  
WITH ALERT BUTTON



LoRaWAN™

## USE CASES



### FOLLOW-UP YOUR STAFF

Track the location of your employees in real time to ensure their safety.  
In case of a problem, the alert button will inform you in real time.  
Dead man functionality thanks to its movement sensor and detection of loss of verticality.



### PRODUCTION FLOWS TRACKING

Tracks the progress of production steps in real time. Identifies priorities. Finds the boxes out of process.



### PATROL MANAGEMENT

Associated with our Geofencing beacon you can locate and track in real time the location of your security guards, museum guards. Allows you to check that the surveillance round is taking place correctly.

## PRODUCT HIGHLIGHTS

### LOCATION BY ZONE

### PICK-TO-LIGHT (BICOLOR LED)

To find and identify your assets at a glance.

### DEAD MAN FUNCTIONALITY

Thanks to its movement and tilt sensor.

### ALERT BUTTON

### RADIO SNIFFING FOR AN OUT-OF-ZONE RESEARCH

### AGILE SETTINGS

TRK-Tracer once deployed, remains configurable to adjust your use case to your needs.

**USAGE RATE MONITORING** thanks to the motion sensor.

**TIME-STAMPING AND DATALOGGING** of events (+10000)

**OPTIMIZATION OF THE BATTERY LIFE > 2 ANS**

### AVAILABLE OPTIONS

- Customization on request:
  - Specific business functions
  - Case color and labeling,

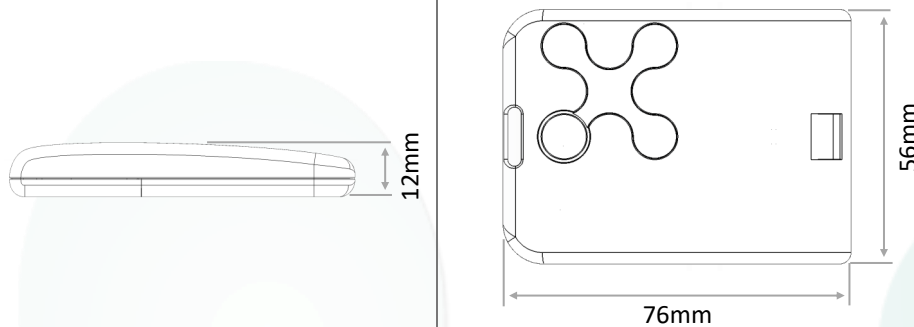


### CLOVER-NET TECHNOLOGY

Real-time two-way communication protocol to facilitate the installation and setting of sensors, collection of time-stamped data, automatic inventories, OTA updates...

# SPECIFICATIONS

## Mechanical specificities



## Fastening system

In pendant

Glue

## Certifications

CE, EN 300-220

## Physical characteristics

Battery	Lithium 3V replaceable
Material	ABS grey
Weight	65 g
IP index	IP44
Operating temperature	-20°C to 60°C
Storage temperature	-40°C to 80°C
Humidity	< 95% without condensation

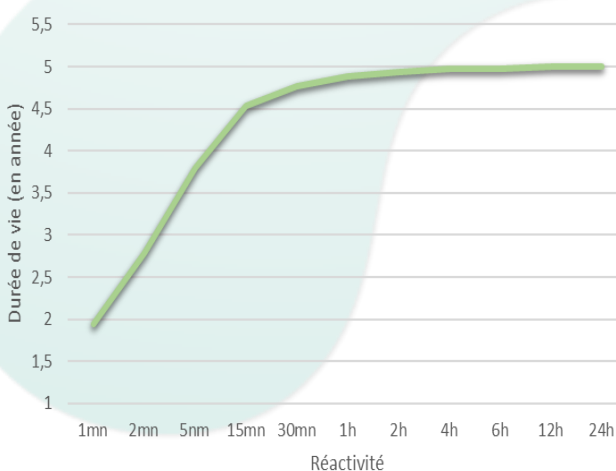


**CAUTION: THIS PRODUCT USES LITHIUM BATTERY.**  
FOR YOUR SAFETY, PLEASE CHECK OUR WEBSITE.

## Communication

LoRaWAN	ClasseA
	EU868, 915US, AU915, AS923
	Private and public networks
	OTAA and ABP
	Power transmission : 14dBm (EU) , 20dBm max
	Operator compatible : Objenious, Orange , ...
	Core network providers : Activity, Orbiwise, TTN, Lorient ...
Sigfox (option)	RC1/RC2/RC4
CloverNet	Broadcast, multicast, point-to-point

## Battery life



## Use case

10-day cycle, 15-zone changes  
Activity : 24h/24h  
Presence frame every 24 hours  
Alarm on zone change  
  
Pick-To-Light at every step for 30s

## Data transmitted

Change of zone events  
History of passages in the zone  
Motion detection  
Usage rate monitoring  
Battery and temperature level  
Product configuration by Downlink

## INEO-SENSE

125 Rue de L'hostellerie,  
Immeuble ELLIPSIS, Niv 4 Porte 12  
30 900 Nîmes — France

Phone : +33 466 276 495  
Web : [www.ineo-sense.com](http://www.ineo-sense.com)  
[contact@ineo-sense.com](mailto:contact@ineo-sense.com)

© 2020 Ineo-Sense. All rights reserved. Clover-Net, Clover-Sense, TRK-Tracer, are trademarks of Ineo-Sense company. All other brands mentioned are the property of their respective holders. This is non-contractual document, and may be modified without notice.