

# ESG-LOGGER-HYGRO®

MONITORING HUMIDITY AND TEMPERATURE



## USE CASE



### Storage area

Compliant with storage standards. Measures temperature and humidity of your storage areas. Autonomously and easily implemented.



### Industrial process

Monitors your paint booths, ovens, heating processes and only go back up to the essentials. If there is an anomaly, refers to the records of our ESG-Logger.



### COLD CHAIN BREACH

Monitors your cold chain without any special connectivity. Once you arrive at destination, check the history of our ESG-Logger and check that there has been no breakage.

## PRODUCT HIGHLIGHTS

### AUTONOMOUS AND WIRELESS

ESG-Logger can be installed anywhere without worrying about wiring, indoor and outdoor. Its magnet installation is simple, fast and automatic.

### SET AS YOU WISH

Set up of the ESG-Logger can be adjusted as required, locally or remotely if LPWAN connectivity is available.

### IDENTIFICATION BY LED

A bi-color LED allows you to know the condition of the product, facilitates its installation and alerts you in case of an anomaly.

**OPTIMIZED ALGORITHM** for more than 10 years of battery life depending on the use case.

**TIME-STAMPING AND DATALOGGING OF EVENTS (+8000)**

**REPLACEABLE BATTERY**

**OPTIONS AVAILABLE:**

- Specific sensor on demand,
- Anti-snatching,
- Customization on request:
  - Case color and labeling,
  - Specific business features.

### CLOVER-NET TECHNOLOGY

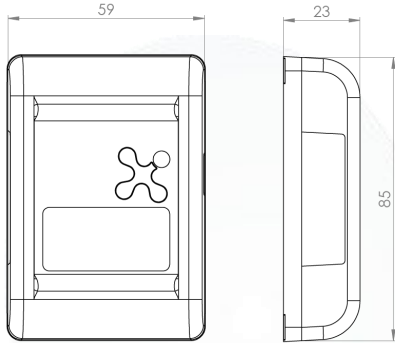


Real-time two-way communication protocol to facilitate the installation and setting of sensors, collection of time-stamped data, automatic inventories, OTA updates...

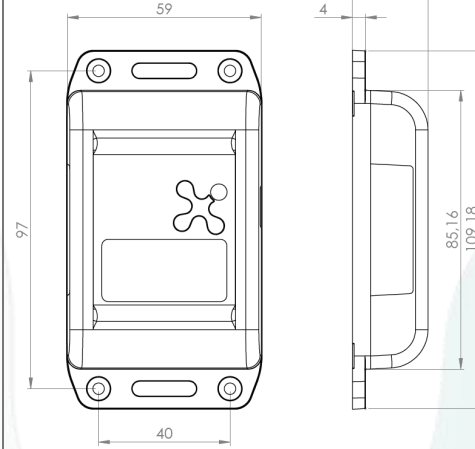
# SPECIFICATIONS

## Mechanical specificities

Without flanges



With flanges



## Fastening system

Screw  
 Magnet (optional)  
 Glue

## Certifications

CE, EN 300-220

## Physical characteristics

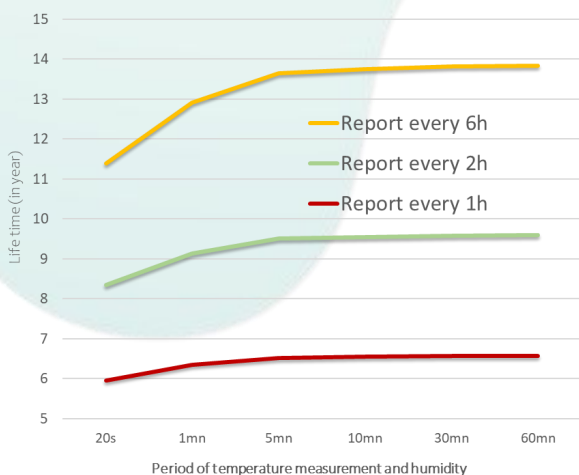
Battery	Lithium 3.6Ah replaceable
Material	ABS PC V0 UL94
Weight	110 g
IP index	IP55 or IP66 (with seal)
IK index	IK07 or IK08 (with seal)
Operating Temperature	-20°C to 70°C
Storage Temperature	-40°C to 80°C
Humidity	< 95% without condensation

**⚠ CAUTION: THIS PRODUCT USES LITHIUM BATTERY. FOR YOUR SAFETY, PLEASE CHECK OUR WEBSITE.**

## Communication

LoRaWAN	Class A EU868, 915US, AU915, AS923 Private and public Network OTAA and ABP Power transmission : 14dBm (EU) to 20dBm max Operator compatible : Objenious, Orange ... Network core providers : Actility, Orbiwise, TTN, Lorient ...
SigFox (option)	RC1, RC2, RC4
CloverNet	Broadcast, multicast, point-to-point

## Battery life



## Use case

Communication in SF12  
 Report with Min/Max/average  
 Recording data in memory for later reading

## Data transmitted

Value of humidity and temperature  
 Time-recorded measurements  
 Alarm in case of high and low threshold overshoot  
 Alarm in case of snatching  
 History with time stamp  
 Activity data (battery, etc.)  
 Setting up by Downlink

## INEO-SENSE

125 Rue de L'hostellerie,  
 Immeuble ELLIPSIS, Niv 4 Porte 12  
 30 900 Nîmes — France

Phone : +33 466 276 495  
 Web : [www.ineo-sense.com](http://www.ineo-sense.com)  
[contact@ineo-sense.com](mailto:contact@ineo-sense.com)