

# TRK-TRACER-GPS®

## AUTONOMOUS LOCATION AND GPS (GNSS)



## USE CASES



### MANAGING, LOCATING AND SECURING YOUR EQUIPMENT FLEETS

TRK-Tracer-GPS allows you, in real time, to know the location of all your equipment (work engine, welding station, dumpster, compressor...); in addition, its motion sensor will allow you to know its usage rates.

Thanks to this remote management, you are able to make resource allocation in line with your needs, apply a billing to use and optimize your maintenance rounds for the dispatching of your equipment.



### TRACKING OF ASSETS, CONTAINERS AND SENSITIVE PARCELS

Geolocates of your assets and controls storage temperature with an integrated temperature sensor (optional). Records all events during the journey. Reduces risk of theft.

## PRODUCT HIGHLIGHTS

### CONFIGURABLE AND DYNAMICS GPS

- Motion start or motion stop,
- Periodic.

### TILT, SHOCK, ANTI TEARING

### LOCATION INDOOR IN ADDITION TO OUTDOOR WITH THE TRK-ZON, OUR LoRa BEACONS

### 3D MOTION SENSOR

### HIGH BRILLIANCE BICOLOR LED:

- Activity and events alert,
- Pick-to-light identification.

### TIME-STAMPING AND DATALOGGING OF EVENTS (+3000)

### USAGE RATE MONITORING

### OPTIMIZATION OF BATTERY LIFE > 5 YEARS

### GNSS ANTENNA : GPS, GALILEO, GLONASS, QZSS

### REPLACEABLE BATTERY

### AVAILABLE OPTIONS :

Temperature sensor

Customization on request

- Case color and labelling,
- Specific business features.

### CLOVER-NET TECHNOLOGY

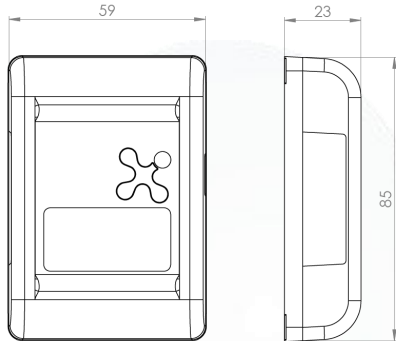


Real-time two-way communication protocol to facilitate the installation and setting of sensors, collection of time-stamped data, automatic inventories, OTA updates...

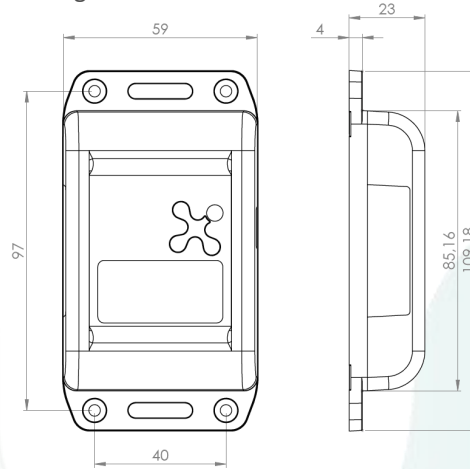
# SPECIFICATIONS

## Mechanical specificities

Without flange



With flanges



## Fastening system

Screw

Magnet (optional)

Glue

## Certifications

CE, EN 300-220

## Physical Characteristics

Battery	Lithium 3.6Ah replaceable
Material	ABS PC V0 UL94
Weight	107g
IP index	IP66
IK index	IK08 as an option
Operating temperature	-20°C to 70°C
Storage temperature	-40°C to 80°C
Humidity	< 95% without condensation

## Communication

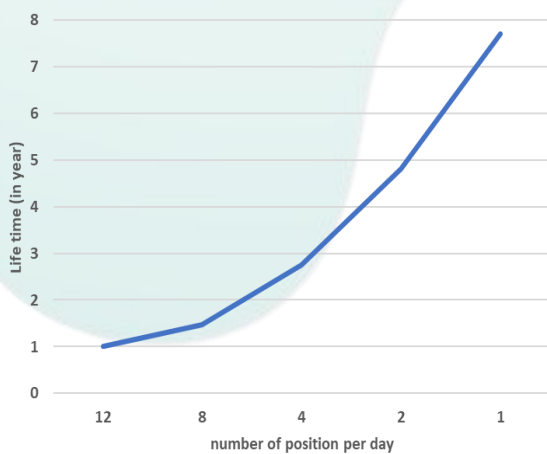
LoRaWAN	Class A
	EU868, 915US, AU915, AS923
	Private and Public networks
	OTAA and ABP
	Power transmission : 14dBm (EU) 20dBm max
	Operator compatible : Objenious, Orange...
	Core network providers : Actility, Orbiwise, TTN, Lorient ...
SigFox (option)	RC1, RC2, RC4
CloverNet	Broadcast, multicast, point-to-point



**CAUTION: THIS PRODUCT USES LITHIUM BATTERY.**

**FOR YOUR SAFETY, PLEASE CHECK OUR WEBSITE.**

## Battery life



## Use case

Acquisition time : 60 s

SF12 communication

## Data transmitted

- GPS/GNSS coordinates
- Recording geolocation
- Motion sensor status
- Events on shock/tilt/temperature
- Usage rate monitoring
- Zone detection
- Change of zone events
- Track record of zone crossing
- Battery and temperature level
- Product configuration by downlink

## INEO-SENSE

125 Rue de L'hostellerie,  
 Immeuble ELLIPSIS, Niv 4 Porte 12  
 30 900 Nîmes — France

Phone : +33 466 276 495  
 Web : [www.ineo-sense.com](http://www.ineo-sense.com)  
[contact@ineo-sense.com](mailto:contact@ineo-sense.com)

© 2020 Ineo-Sense. All rights reserved. Clover-Net, Clover-Sense, TRK-Traceur-GPS, are trademarks of Ineo-Sense company. All other brands mentioned are the property of their respective holders. This is non-contractual document, and may be modified without notice.