

TRK-ZON[®]

AUTONOMOUS LORA ZONE BEACON



USE CASES



INVENTORY AND STOCK MANAGEMENT

Invents your equipment by simply installing a zone beacon in storage locations. INEO-SENSE TRK-Tracer tags identify the beacon and trace the information back to the network.



CHECK IN / CHECK OUT

Identifies inbound and outbound assets at your guard posts, on the fly and in real time, without having to open your vehicles.



TRACKING PRODUCTION FLOWS

Tracks the progress of production steps in real time by judiciously positioning the zone beacon at each stage.

PRODUCT HIGHLIGHTS

AUTONOMOUS AND WIRELESS

TRK-Zon can be installed anywhere without worrying about wiring, indoor and outdoor. Its magnet installation is simple, fast and automatic.

LONG RANGE UP TO 300M

Defines areas ranging from a few m² to about 100 m².

SIMPLE IDENTIFICATION BY LED

Identifies your zone tags with ease when setting up.

BATTERY LIFE OPTIMIZATION > 4 ANS

TIME-STAMPING AND DATALOGGING OF EVENTS (+8000)

OPTIONS AVAILABLE

- Activation by motion sensor,
- Power on power outlet,
- Customization on request:
 - Case color and labeling,
 - Specific business features.

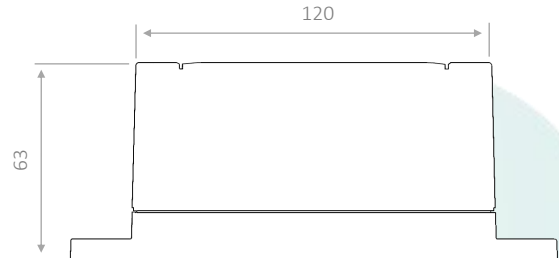
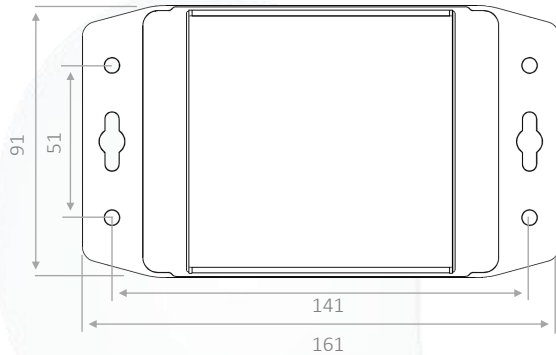


CLOVER-NET TECHNOLOGY

Real-time two-way communication protocol to facilitate the installation and setting of sensors, collection of time-stamped data, automatic inventories, OTA updates...

SPECIFICATIONS

Mechanical specificities



Fastening system

Screw

Magnet (in option supply)

Glue

Physical Characteristics

Battery	Lithium 34Ah replaceable
Material	ABS PC V0 UL94
Weight	300 g
IP Index	IP66
IK index	IK07
Operating temperature	-20°C to 70°C
Storage Temperature	-40°C to 80°C
Humidity	< 95% without condensation



CAUTION: THIS PRODUCT USE LITHIUM BATTERY.

FOR YOUR SAFETY, PLEASE CHECK OUR WEBSITE

Data transmitted

Motion detection

Battery and temperature level

Setting by Downlink

Certifications

CE, EN 300-220

Communication

LoRaWAN	Class A EU868, 915US, AU915, AS923 Private Mode and Public mode OTAA and A BP Transmitting Power 14dBm (EU) 20dBm max Compatible operator: Objenious, Orange and network core, Actility, Orbiwise, TTN, Lorient ...
CloverNet	Broadcast, multicast, point-to-point

INEO-SENSE

125 Rue de L'hostellerie,
Immeuble ELLIPSIS, Niv 4 Porte 12
30 900 Nîmes — France

Phone : +33 466 276 495
Web : www.ineo-sense.com
contact@ineo-sense.com